

In- Line Filter



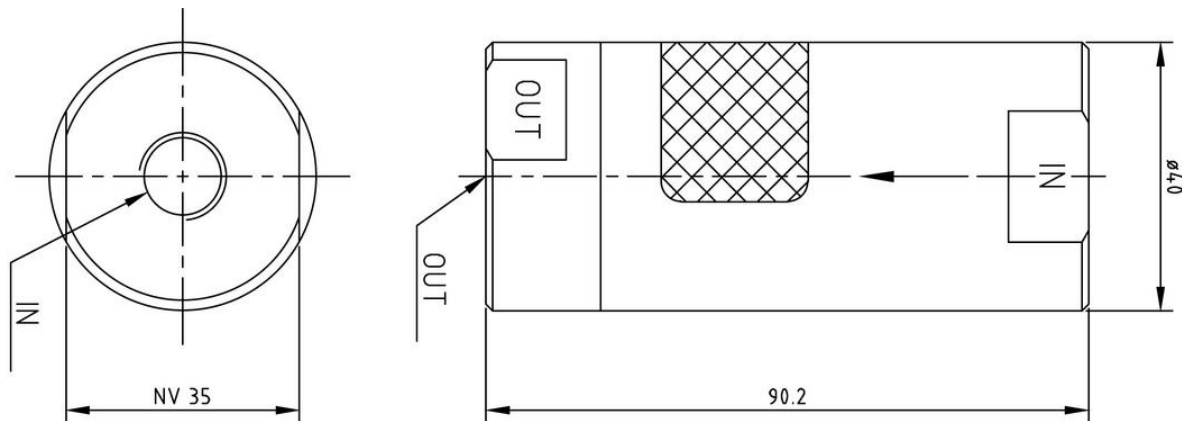
Description

The hydraulic in- line filter provides protection in hydraulic systems up to 350 bar. Fitted on the pressure side of a pump it will protect the system and its control valves down to 10 microns.

The unique construction features an anodised aluminium housing for light weight, and a conically shaped sintered bronze element positioned by a retaining spring to allow true, uninterrupted axial flow. The standard 10 micron bronze filter element can be easily cleaned or replaced.

Operating temperatures: 0°C to 100°C

Dimensions



2-125

Ordering

Order no.	In / Out	Overall length	Dia.	Weight	Max. pressure	Element and seal
FIL-52-10	1/4" BSP	90.2 mm	40 mm	0.25 kg	350 bar	FIL- KIT-10
FIL-52-25	1/4" BSP	90.2 mm	40 mm	0.25 kg	350 bar	FIL- KIT-25
FIL-52-40	1/4" BSP	90.2 mm	40 mm	0.25 kg	350 bar	FIL- KIT-40
FIL-53-10	3/8" BSP	90.2 mm	40 mm	0.25 kg	350 bar	FIL- KIT-10
FIL-54-10	1/2" BSP	90.2 mm	40 mm	0.25 kg	350 bar	FIL- KIT-10
FIL- KIT-10	–	–	–	–	–	–